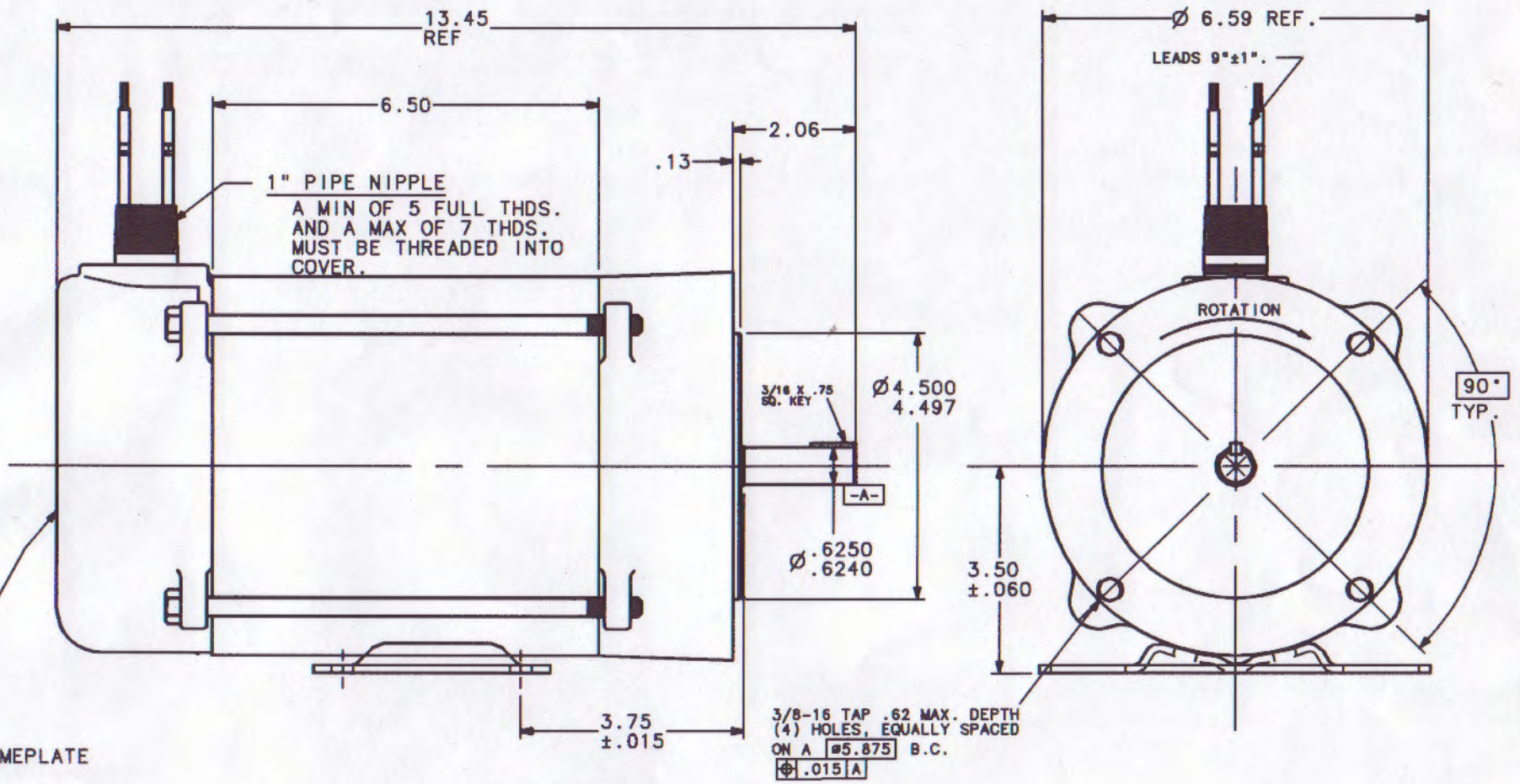


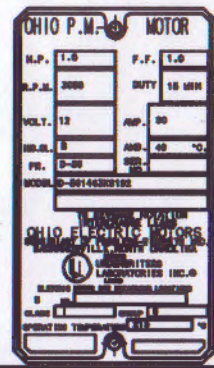
REVISIONS				
INT	REV	DESCRIPTION	DATE	APPROVED
CL	B	INC. NO LOAD AMPS	01-02-04	ER-17513



NOTE:
1-ROTATION IS AS SHOWN WITH
POS.LEAD CONNECTED TO POS.TERM
MOTOR MUST BE PAINTED INTERNALLY

TEST DATA (NO LOAD)	
VOLTS: 12	
AMPS: 20 MAX.	
R.P.M.: 2980/3280	
ROTATION: CWDE	

NAMEPLATE INFO.

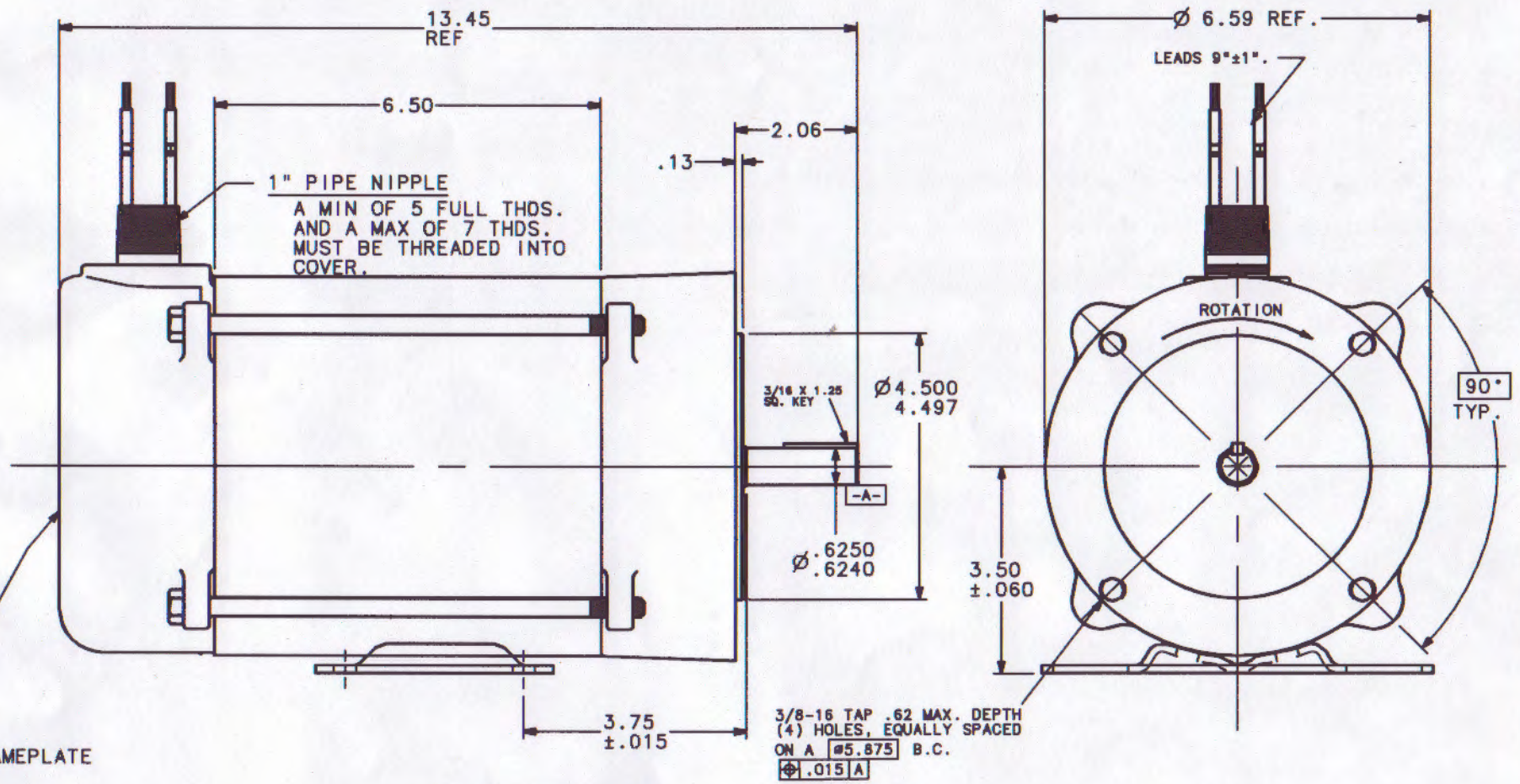


UNLESS OTHERWISE SPECIFIED DIMENSIONS ARE IN INCHES.
UNLESS OTHERWISE SPECIFIED TOLERANCES ARE:
.XX (2 PL DEC) ± .030 FRACTIONS ± 1/32
.XXX (3 PL DEC) ± .030 ANGLES ± 3'

CONFIDENTIAL: THIS DRAWING CONTAINS INFORMATION
PROPRIETARY TO OHIO ELECTRIC MOTORS. ITS CONTENTS
ARE NOT TO BE DISCLOSED TO OTHERS WITHOUT THE
EXPRESSED CONSENT OF OHIO ELECTRIC MOTORS.

MK	ITEM NUMBER	DESCRIPTION	QUANTITY	UM
BILL OF MATERIALS				
OHIO ELECTRIC MOTORS				
BARNARDSVILLE, NORTH CAROLINA 28709				
OUTLINE DWG.				
SIZE	FORM NUMBER	REVISED NUMBER	DATE	BY
C		D-561463X8192-1, B		
SHEET 1 OF 1				

REVISIONS				
INT	REV	DESCRIPTION	DATE	APPROVED
CL	A	NEW RELEASE	09-17-04	ER-17835



NOTE:
1-ROTATION IS AS SHOWN WITH
POS.LEAD CONNECTED TO POS.TERM
MOTOR MUST BE PAINTED INTERNALLY

TEST DATA (NO LOAD)	
VOLTS: 24	
AMPS: 10.5 MAX.	
R.P.M.: 3075/3325	
ROTATION: CWDE	

NAMEPLATE INFO.

OHIO P.M. MOTOR

H.P. 1.0	F.F. 1.0
S.P.S. 2000	DUTY 15 MIN
VOLT. 24	AMP. 40
NO. 2	AMP. 40
PL. D-20	AMP. 40

OHIO ELECTRIC MOTORS
BARNARDSVILLE, OHIO, U.S.A.

LABORATORIES INC.

WK	ITEM NUMBER	DESCRIPTION	QUANTITY	UM
BILL OF MATERIALS				
OHIO ELECTRIC MOTORS				
BARNARDSVILLE, NORTH CAROLINA 28709				
OUTLINE DWG.				
REV	DATE	BY	CHKD	APP'D
C				
D-561465X8199-1, A				
SHEET 1 OF 1				

UNLESS OTHERWISE SPECIFIED DIMENSIONS ARE IN INCHES.
UNLESS OTHERWISE SPECIFIED TOLERANCES ARE:
.XX (2 PL. DEC) ± .030 FRACTIONS ± 1/32
.XXX (3 PL. DEC) ± .030 ANGLES ± 3'

CONFIDENTIAL: THIS DRAWING CONTAINS INFORMATION
PROPRIETARY TO OHIO ELECTRIC MOTORS. ITS CONTENTS
ARE NOT TO BE DISCLOSED TO OTHERS WITHOUT THE
EXPRESSED CONSENT OF OHIO ELECTRIC MOTORS.